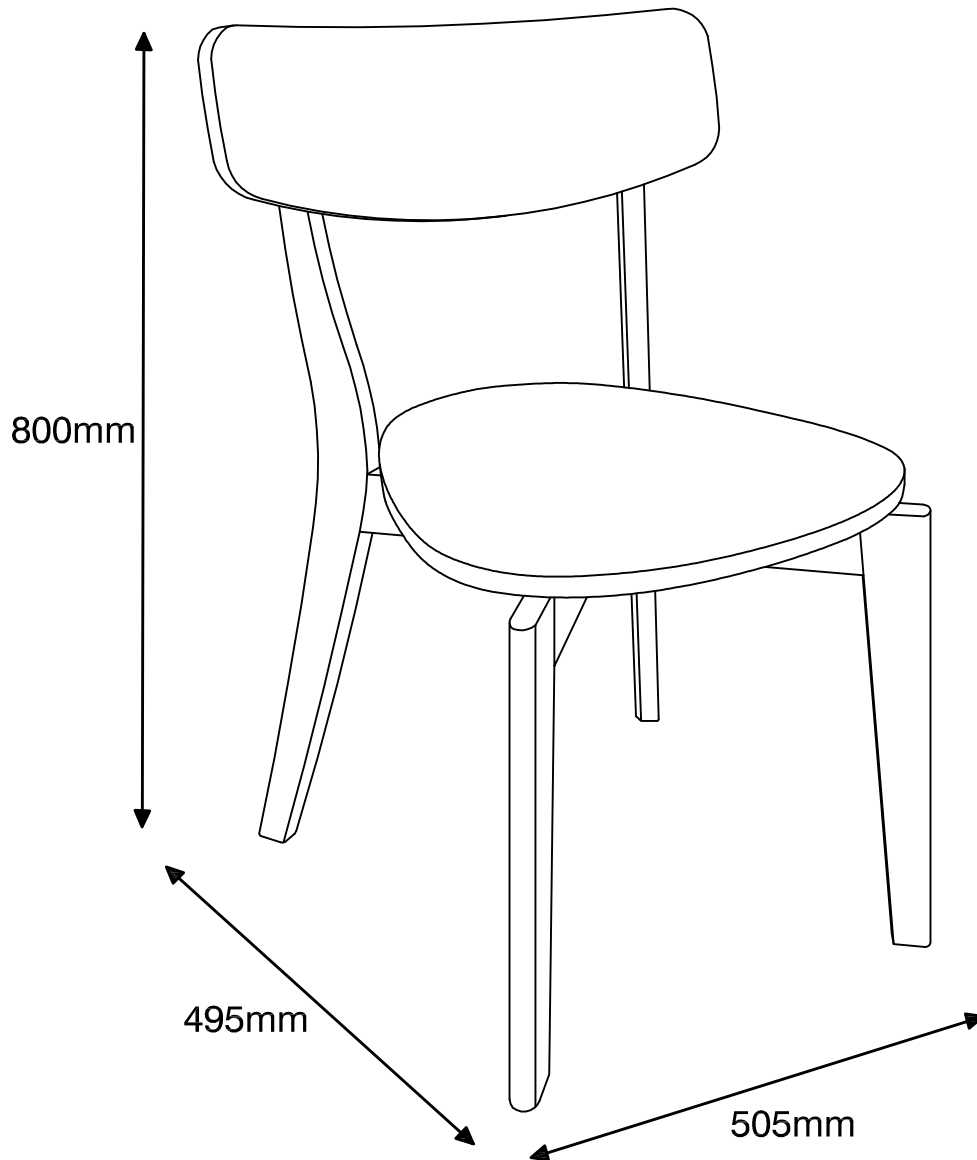




ASSEMBLY INSTRUCTION
SVEN DINING CHAIR
ITEM CODE 54448

Imported by Amart Furniture Pty Ltd, Qld, Brisbane Australia.
For any assistance with assembly or for missing parts please phone
Amart Furniture Ewing Road, Customer Service Free call 1800 351 084

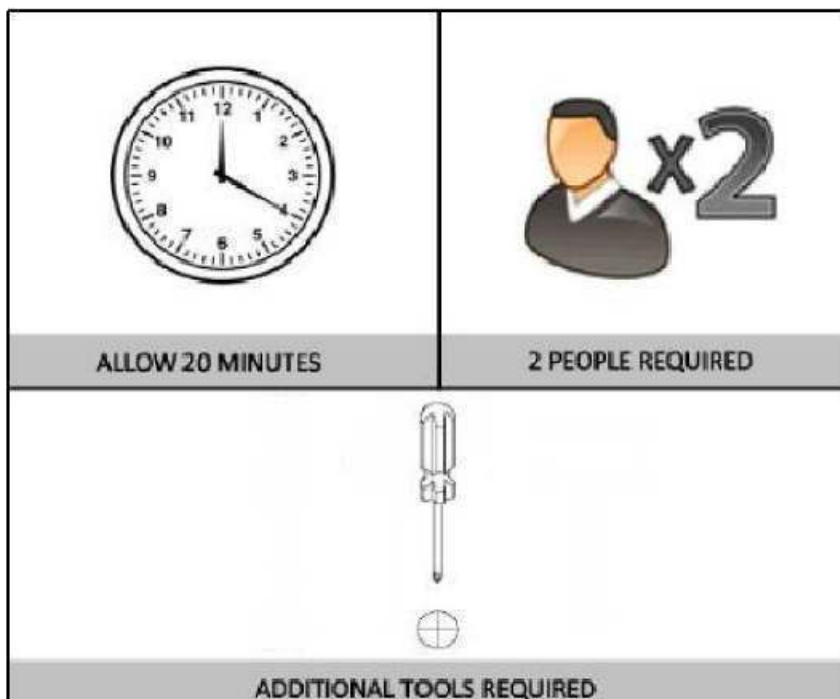


Imported by Amart Furniture Pty Ltd, Qld, Brisbane Australia.
For any assistance with assembly or for missing parts please phone
Amart Furniture Ewing Road, Customer Service Free call 1800 351 084

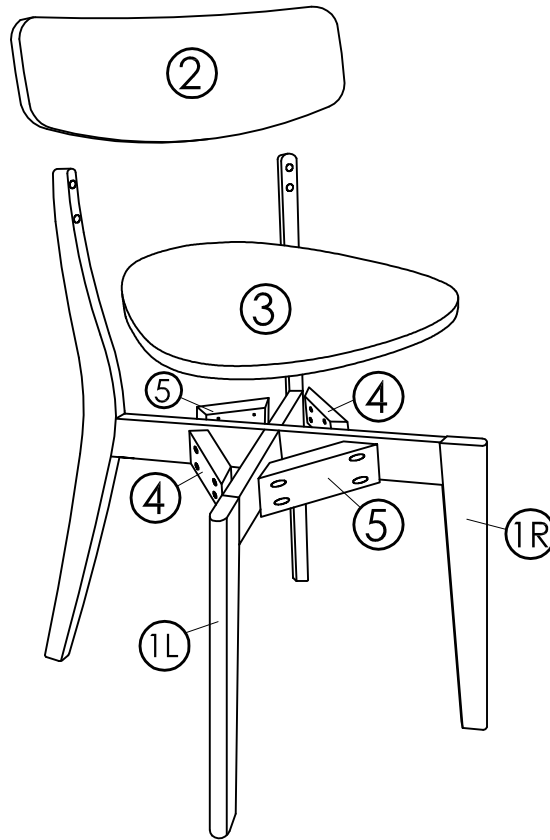
PRE-ASSEMBLY PREPARATION

Before you start:

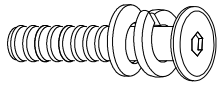
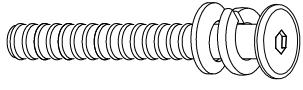

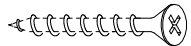

1. Choose a clean, level, spacious assembly area. Avoid hard surfaces that may damage the product
2. Take care when lifting. Product should be assembled as near as possible to the point of use
3. Ensure that you have all required contents for complete assembly
4. Always read the assembly instructions carefully before beginning assembly.
5. Keep all hardware parts and packaging out of reach of small children.
6. Do not over tighten the screws and bolts as this may damage the threads



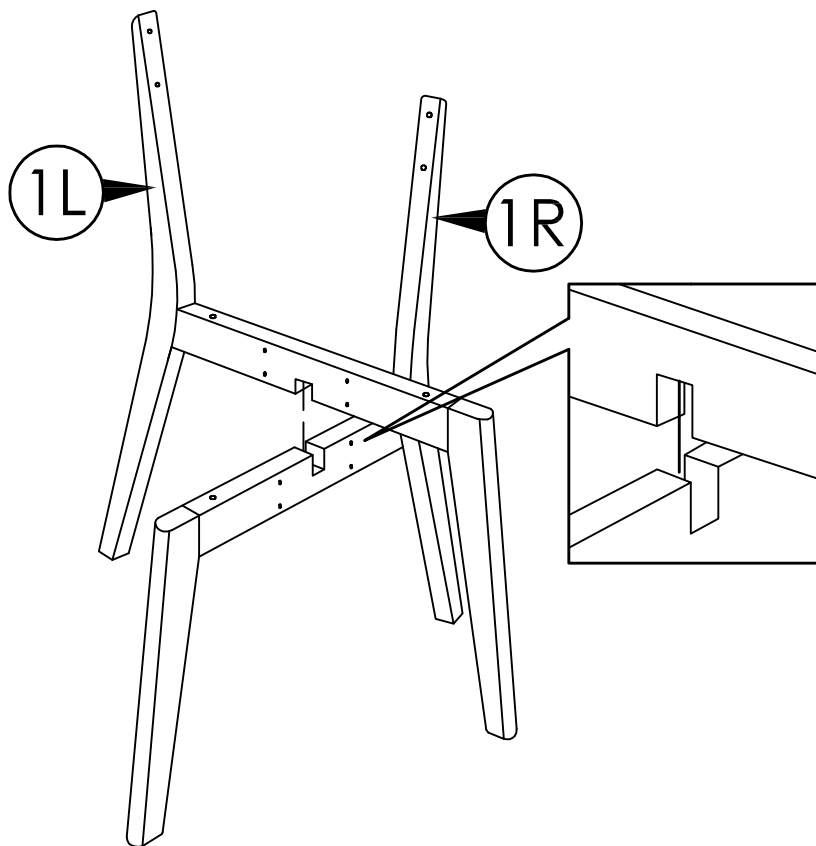
PARTS LIST



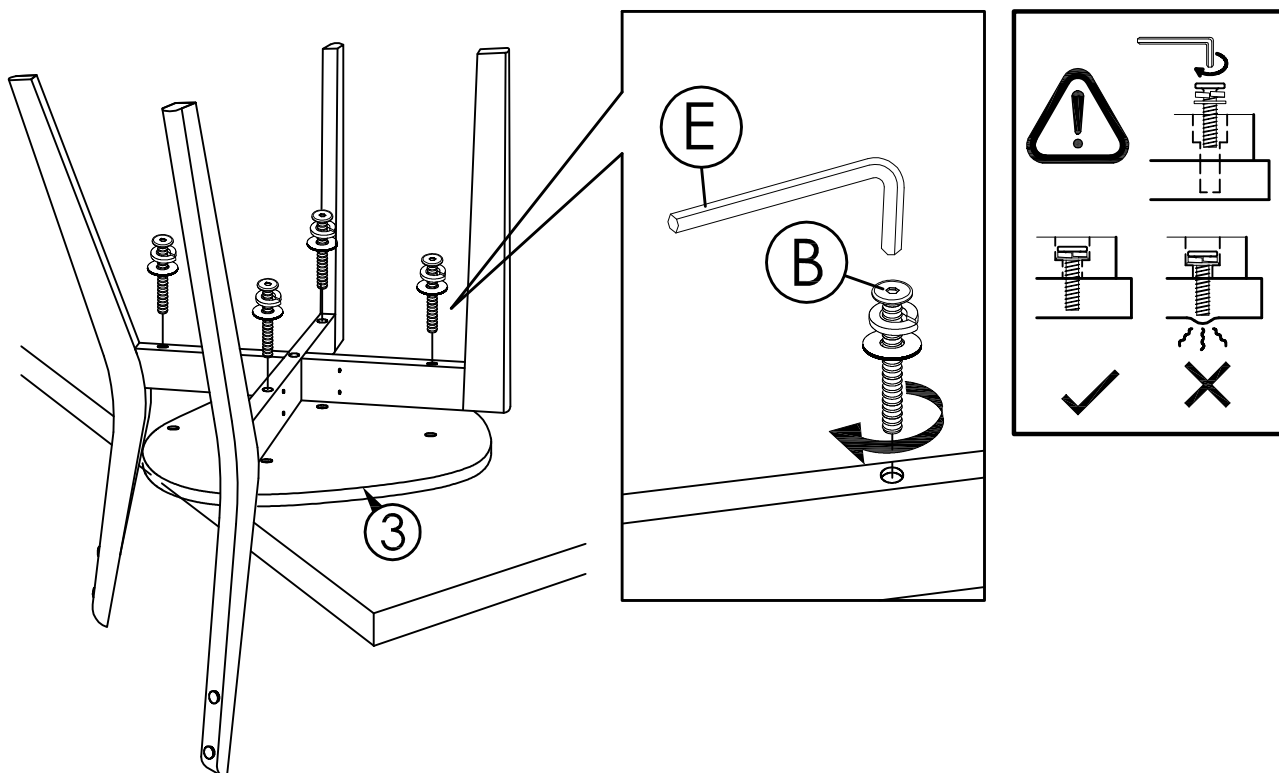
1	LEG (LEFT / RIGHT)	2PCS
2	TOP REST	1PC
3	CHAIR SEAT	1PC
4	CORNER BLOCK (LEFT / RIGHT)	2PCS
5	CORNER BLOCK (FRONT / BACK)	2PCS

<p>A. JCBC Bolt M6 x 25mm + S/W M6 + F/W M6 x 13mm</p>  <p>4pcs</p>	<p>B. JCBC Bolt M6 x 55mm + S/W M6 + F/W M6 x 13mm</p>  <p>4pcs</p>	<p>C. JCBC W M7 x 40mm</p>  <p>1pc</p>
<p>D. FH Screw #8 x 25mm</p>  <p>16pcs</p>	<p>E. Allen Key M4</p>  <p>1pc</p>	

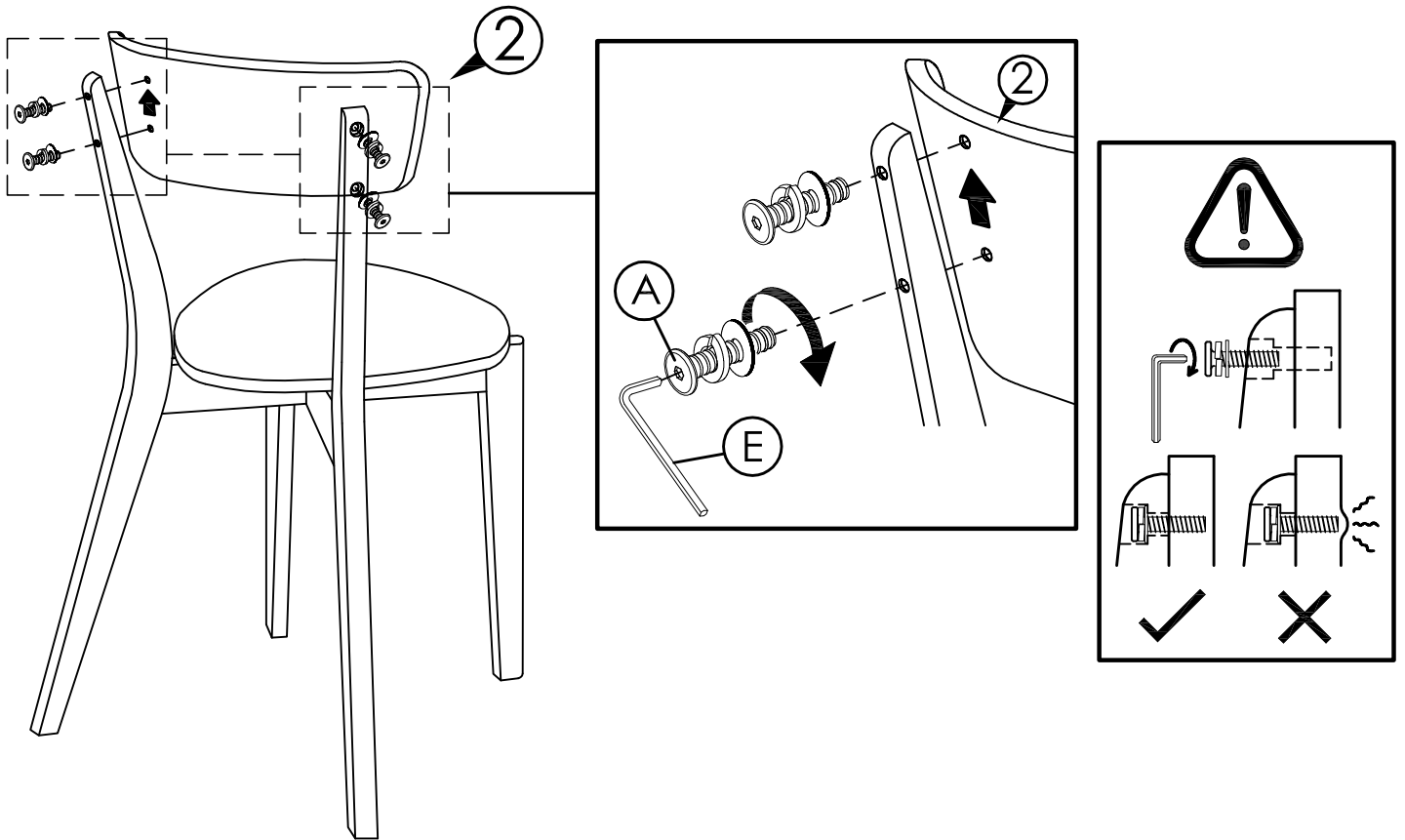
STEP 1 : Crossover the Left Side Frame (1L) into Right Side Frame (1R).



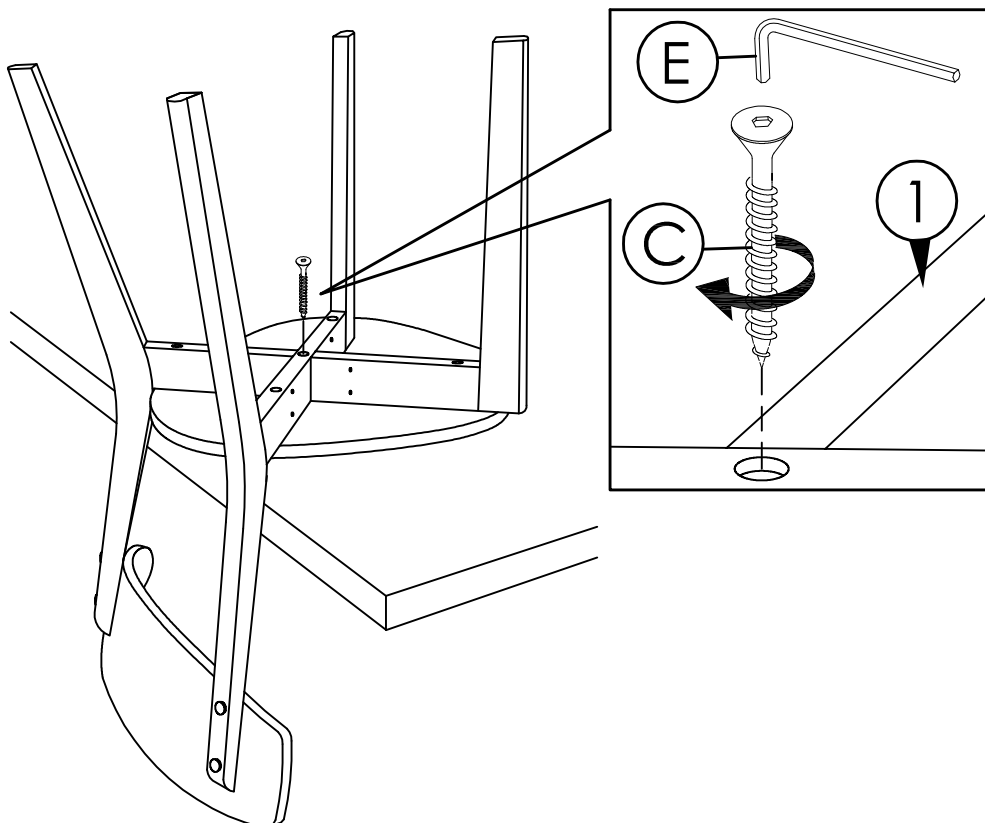
STEP 2 : Fix the seat (3) use Bolt (B) + Spring Washer + Flat Washer with the Allen Key (E).



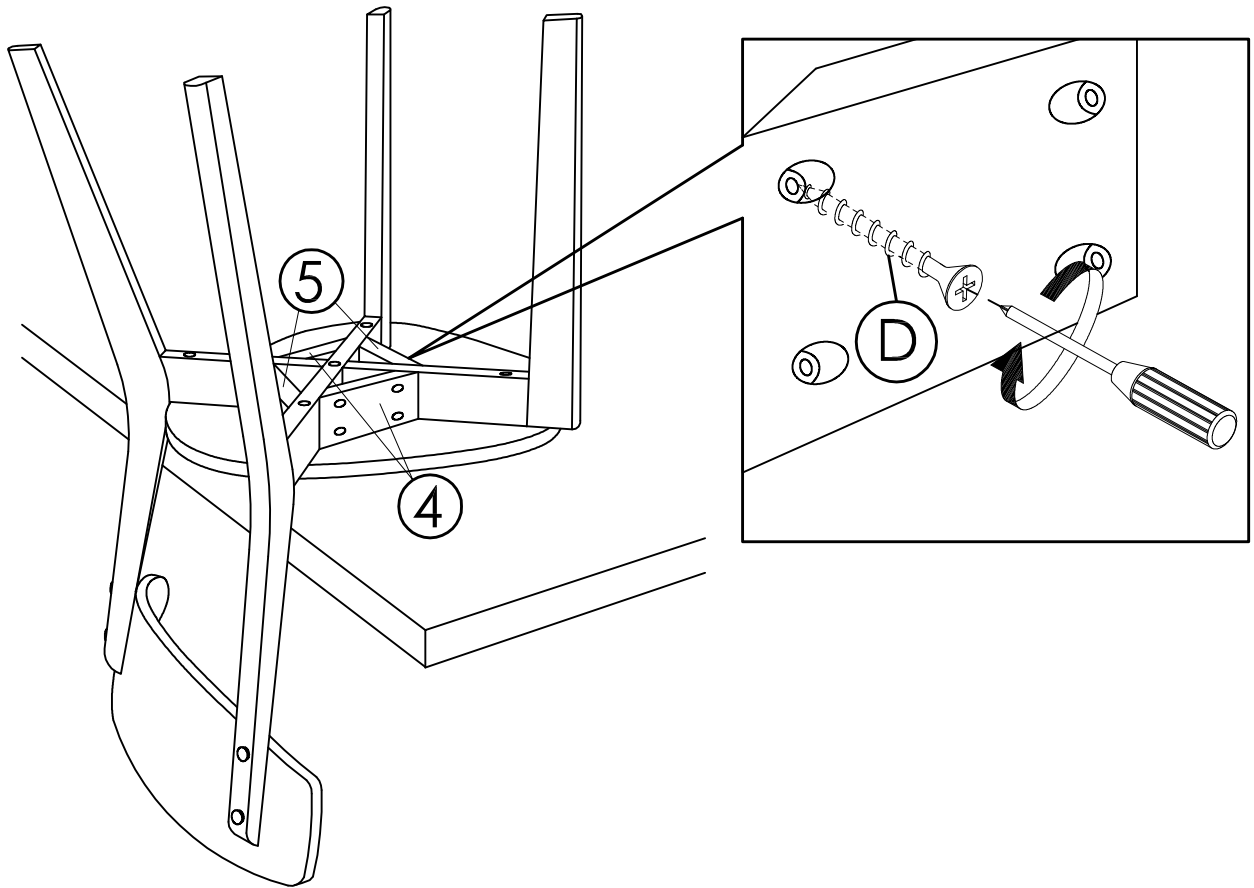
STEP 3 : Fix the top rest **2** use Bolt **(A)** + Spring Washer + Flat Washer with the Allen Key **(E)** .



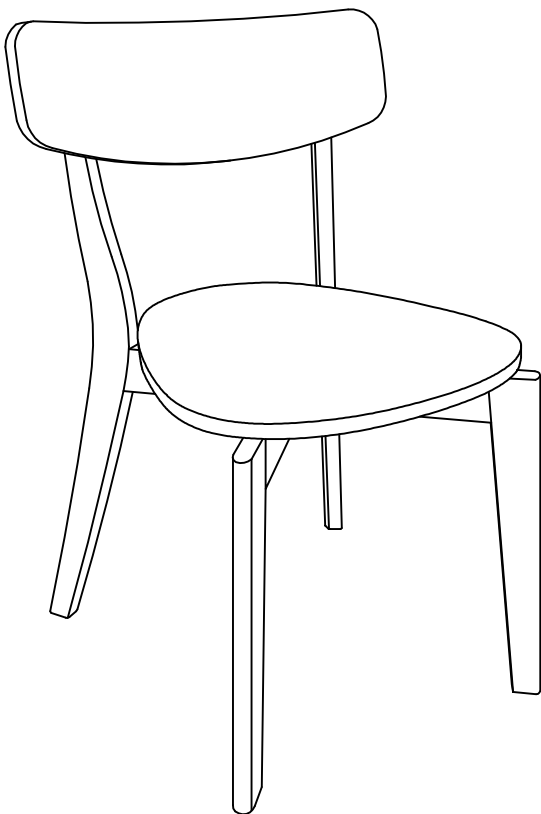
STEP 4 : Fix the seat **3** using JCBC W **(C)** with the Allen Key **(E)** .



STEP 5 : Fix the corner block 4 and 5 at the right position using screw D with screwdriver .



STEP 6 :



Important note-

Before finally tightening the bolts, place the assembled chair upright on a level surface and sit carefully on the chair to ensure the chair legs are aligned and level. Then tighten all bolts and your chair is ready for use.

ASSEMBLY COMPLETED

IMPORTANT: CARE GUIDE FOR YOUR UPHOLSTERED CHAIR

Congratulations! You have just purchased a quality product from Amart Furniture, Australia's largest discount furniture retail store. Please read on for important care information regarding your purchase...

Regular Care:

Always protect your product from direct sunlight, direct heat, and weather. Regularly dust with a clean, dry, non-abrasive cloth. Wipe away any food or liquid spills immediately with a clean, damp, non-abrasive cloth.

Cleaning:

Dust before cleaning. Do not remove cushion covers for separate cleaning. Do not shampoo. Do not clean by hot water extraction machine. Do not dry clean. Avoid hard rubbing or scrubbing.

Wipe with a clean, soft, cloth dampened with water and a mild soap solution. Ensure you do not use dishwashing or laundry detergents or solvents. Do not wet excessively.

Then, wipe over again with a clean, soft cloth dampened with water only to remove residual soap.

Finally, wipe over with a clean, soft, dry cloth. Leave to fully dry before further use.

Important note:

This material does not generally require conditioners. If a conditioner is required, use only a proprietary brand and use strictly in accordance with the manufacturer's instructions.

Do not use floor, furniture or shoe polishes.

For sport cleaning, clean as above. Persistent stains may require treatment by a professional cleaner.

Clean timber legs as above as required.

